

Cost Effective, Solid State, Rugged Industrial Design

DESCRIPTION

Model 10146 is a small, low cost temperature controller with sensing range from 0 to 100 degrees Celsius (other ranges are available). The trip point of the switch is continuously adjustable. The output is a solid state switch. The switch can handle loads up to 25 amperes at 110 volts AC.



SPECIFICATIONS	
Sensing Ranges	Standard 0 to 100 °C (call for more options)
Trip Point	Adjustable
Hysteresis	Typically Less Than 2 °C
Operating Temperatures	-20°C to 85°C (Control Circuit)
Operating Voltage	120 VAC
Operating Current	Typically 6 mA when Load is Off
Dimensions (L x W x H)	2.1 x 1.8 x .5 inches
Connections	6-32 Screw Terminals (5)
Output Type	Solid State Switch
Maximum Load Current	Standard 8, 15 or 25 Amps (call for more options)
Minimum Output Voltage	1.2 Volts @25°C @ Rated Load

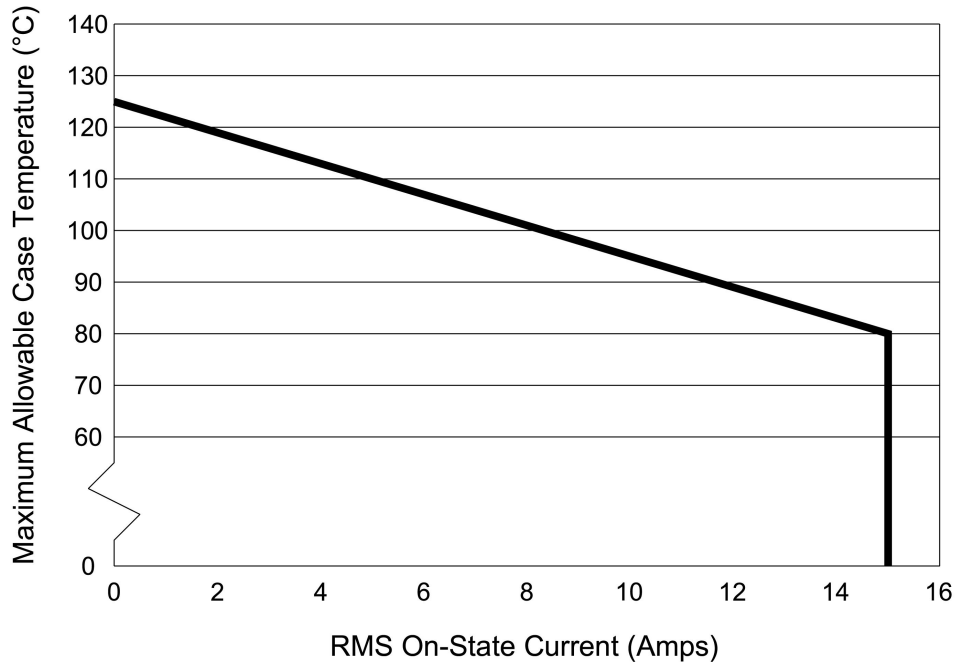
- #### FEATURES
- Encapsulated to prevent environmental and physical damage
 - Solid-state
 - Sense temperatures between 0 and 100 degrees Celsius
 - Small size. Cost Effective
 - Rugged Industrial Design

- #### APPLICATIONS
- Industrial Process Control
 - Etching, Water Bath
 - Medical
 - Spa Control
 - Heating, AC Control
 - Environmental Control

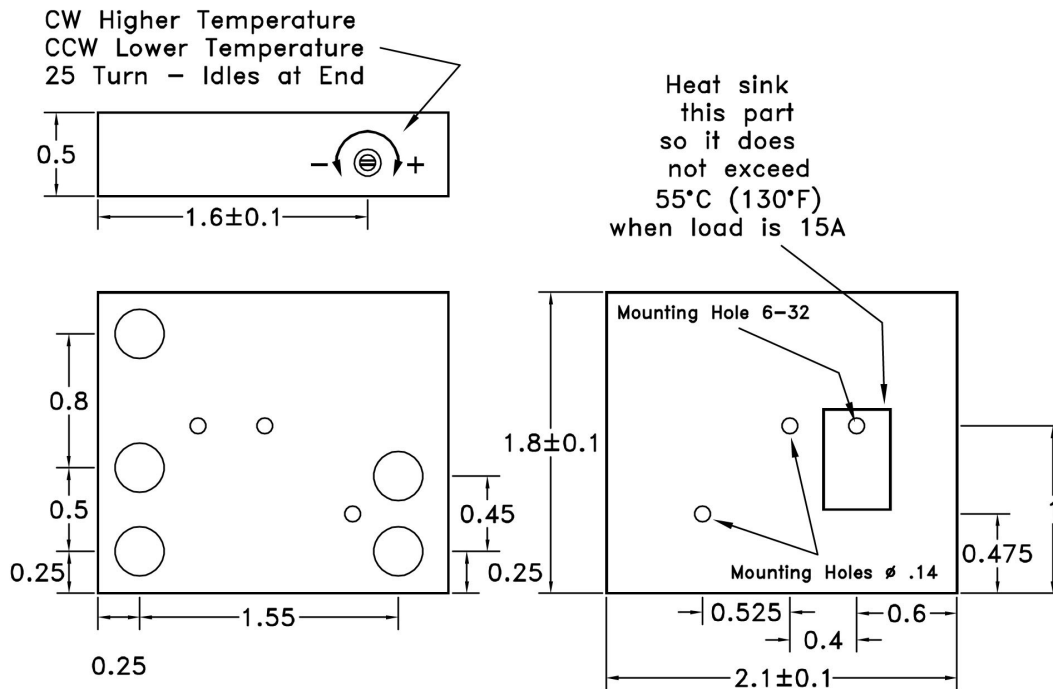
ORDERING

Example	10146	D	2
Model			
Temperature Range (A) 0 to 100°C; (D) 10 to 121°C			
Output Current (1) 8A; (2) 15A; (3) 25A			

Maximum Allowable Case Temperature Verses On-State Current (15 Amps)



Dimensions



All Units in Inches

Connections

