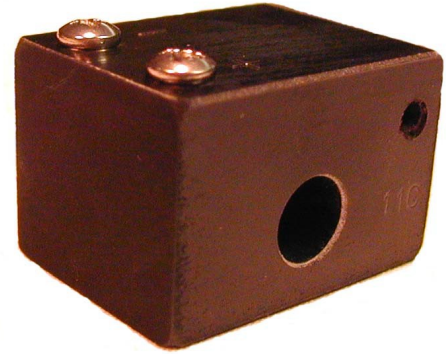


Low Cost, Single Phase, Two Wire

DESCRIPTION

Model 10624 is a small, low cost AC current switch. This current sensor is single phase and has a two wire connection. The output goes from low current to high current on trip and is designed to connect to a PLC. The current trip point is continuously adjustable. The 10624 is designed for industrial applications and can accommodate wires up to 3/8 inch diameter.



SPECIFICATIONS	
Sensing Ranges(Amps)	0.5-10, 0.5-25, 0.5-50
Sensor Frequency Range	50-60 Hz
Trip Point	Adjustable
Response Times	20ms On, 100ms Off @ 60Hz 100µs On from Current Detection Point
Temperature Range	0-70°C
Maximum Wire Size	3/8"
Dimensions (L x W x H)	1.1 x 1.5 x 1 inches
Connections	6-32 Screw Terminals (2)
Operating Voltage	3-30 VDC
Output Type	Two Wire, Normally Low Current
Output Rating	High Current Max. 100mA
Operating Current	1mA @ 5VDC

ORDERING		
Series	# of Sensors	Sensing Ranges
10624	A → 1 core	2 → .5 - 10A
		3 → .5 - 25A
		4 → .5- 50A

Examples 10624A3, 10624A4

FEATURES

- Encapsulated to prevent environmental and physical damage
- Solid-state
- Accommodate wires up to 3/8 inch
- Outputs are isolated from monitored lines

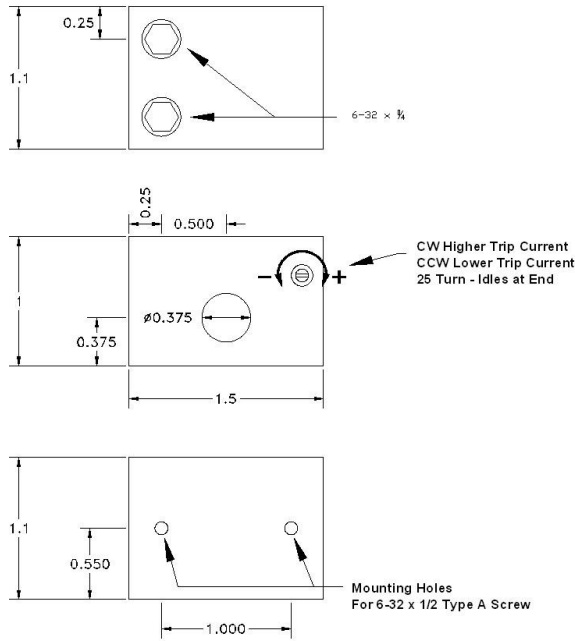
APPLICATIONS

- Protects motors
- Increases Motor Life
- Pumping
- Irrigation
- Conveyors
- Loaders
- Fans and Blowers
- Ovens and Heaters
- Waste Management
- Material Handling
- Industrial Process Control

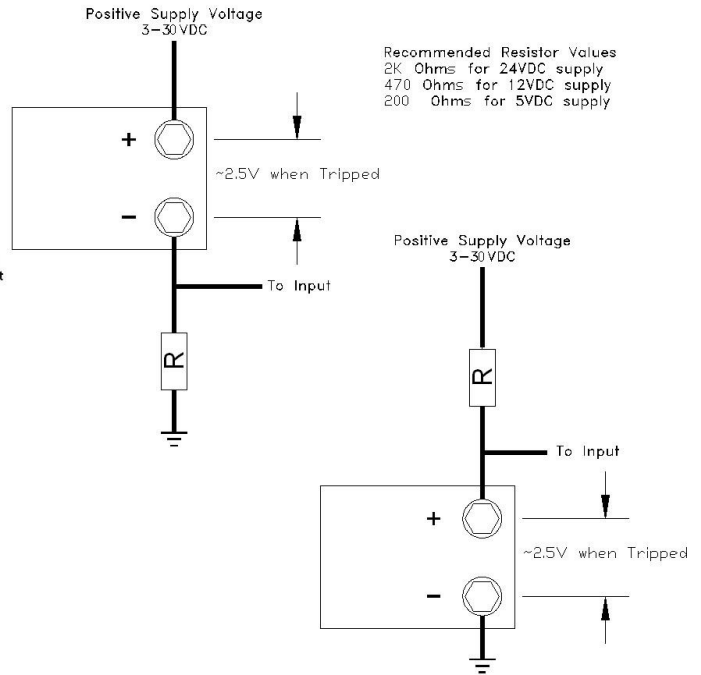


Current Sensor Model 10624

Dimensions



Typical Connections



Connection to a PLC

