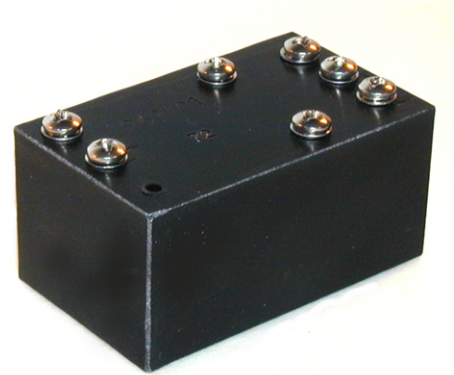


3, 5, 12, 24, or 48 VDC Interval Timer, 10A Output

DESCRIPTION

Model 9621 is a 3-48 VDC interval timer. The internal mechanical relay can switch AC and DC loads up to 10A. The minimum interval time is 100 ms (0.1s). Interval sequences can be started when the timer is powered or from the isolated two-wire encoded input. Phenix interval timers are programmed using PC software, available online for free. The intervals and settings are then transferred into the timer through an infrared programmer, providing complete isolation from switching current.



SPECIFICATIONS

Power Switching Capability	10A @ 120 VAC 10A @ 28 VDC 7A @ 240 VAC 1/3 Hp @ 125 VAC 1/2 Hp @ 240 VAC
Input	Two-wire isolated
Memory Capacity	32 Intervals
Time Base	100 ms
Operating Temperatures	-20°C to 85°C
Operating Voltage	3, 5, 12, 24, 48 VDC
Dimensions (L x W x H)	2.5 x 1.5 x 1.25
Clock Source	Crystal

FEATURES

- Industrial Design
- 10A current capacity
- Programmable
- Stores up to 32 intervals
- Automatically repeats
- Internal Mechanical Relay
- Two-wire isolated input

APPLICATIONS

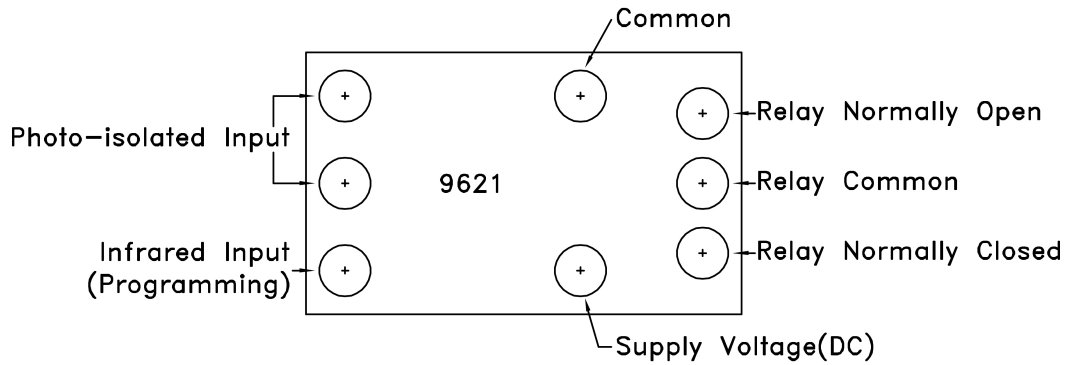
- Spa control
- Lighting timer
- Motor control
- Conveyor timing
- Pump control
- HVAC control
- Irrigation timer
- Process control
- Manufacturing timer
- Factory control

ORDERING

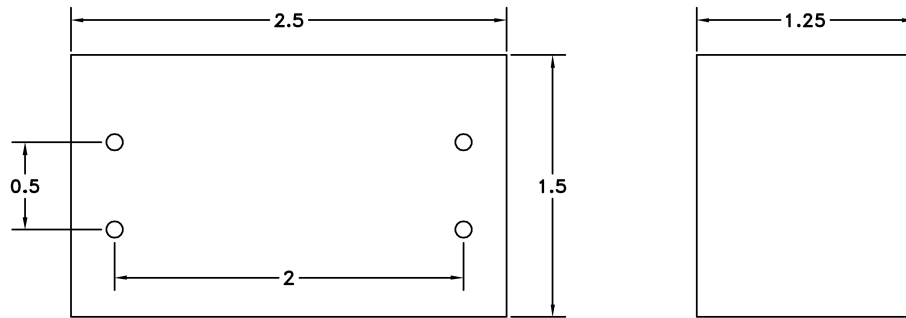
Series	Operating Voltage	Input Voltage
9621 A	→ 3 VDC	1 → 3-12 VDC
B	→ 5 VDC	2 → 12-48 VDC
C	→ 12 VDC	
D	→ 24 VDC	
E	→ 48 VDC	



Programmable Interval Timer Model 9621



All Connections 6-32 x 1/4
except IR 6-32 x 1/8



4 Mounting Holes
Use #6 Type A Screws 1/2 inch

All Dimensions in Inches

Actuator Control Application Example

