

## Low Cost, Three Phase, Open Collector Output

### DESCRIPTION

Model 9089 is a small, low cost current switch with maximum currents of 25A, 50A, or 100A. This three phase current sensor goes from high to low when any one of the three phases exceeds the trip point. The current trip point is continuously adjustable.



### SPECIFICATIONS

Sensing Ranges	0.5-25A, 0.5-50A, 0.5-100A
Sensor Frequency Range	50-60 Hz
Sensing Precision	±5% @ Max. Current
Trip Point	Adjustable
Response Times	20ms On, 100ms Off @ 60Hz 100µs On from Current Detection Point
Temperature Range	0-70°C
Maximum Wire Size	3/8"
Dimensions ( L x W x H )	2.125 x 1.05 x 1 inches
Connections	4-40 Screw Terminals (3)
Operating Voltage	3-36 VDC
Output Type	Normally High, Open Collector Transistor. Trips when any one of the three cores exceeds the trip point.
Output Rating	18mA max sink
Operating Current	2mA @ 5VDC

### ORDERING

Series	# of Sensors	Sensing Ranges
9089	C → 3 core	1 → 0.5-25A
		2 → 0.5-50A
		3 → 0.5-100A

### FEATURES

- Encapsulated to prevent environmental and physical damage
- Solid-state
- Accommodate wires up to 3/8 inch
- Currents up to 100A
- Outputs are isolated from monitored lines

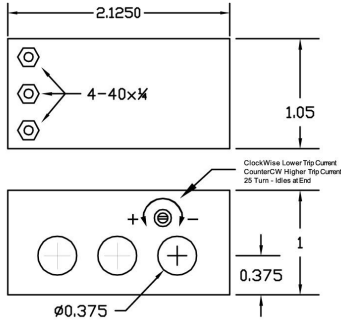
### APPLICATIONS

- Protects motors
- Increases Motor Life
- Pumping
- Irrigation
- Conveyors
- Loaders
- Fans and Blowers
- Ovens and Heaters
- Waste Management
- Material Handling
- Industrial Process Control

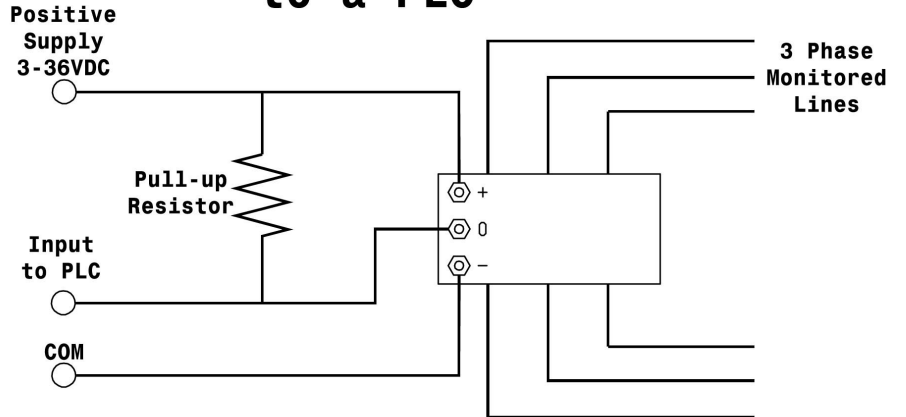


# AC Current Sensor Model 9089

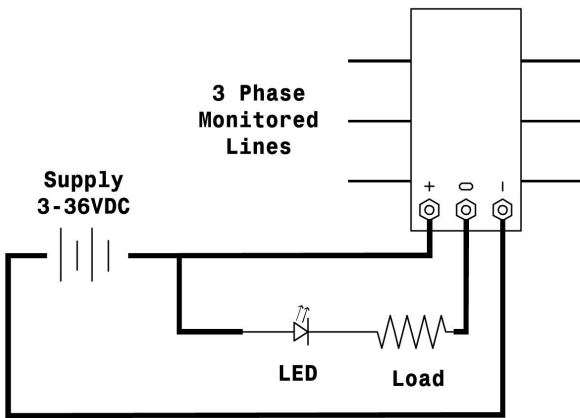
## Dimensions



## Typical Connection to a PLC



## Connection with LED Indicator



## Typical Connection

