

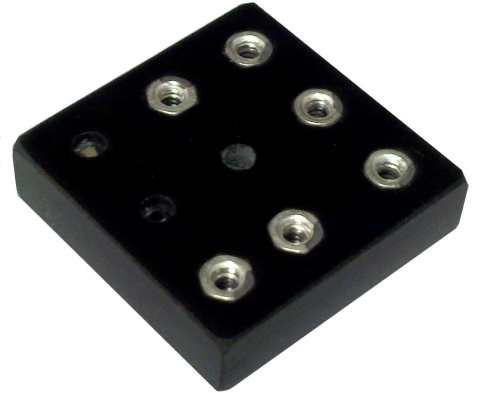
12VDC, 6A Programmable RGB Controller

Description

Model 9252 is a 12 VDC 6A programmable RGB controller. The 9252 controls LED RGB lights and displays programmable colors. The colors are displayed in sequence, up to 20 colors. The amount of time between each color is programmable. Each color in the sequence can be set to smoothly transition to the next color or hold solid for the time duration.

An optional switch input allows the 9252 to select between two color sequences creating unique color effects. For example, fade between colors when the input is switched and flash when it is not.

This device is programmed using an infrared remote, model 9211. Using the RGB software, define the sequence of colors to display and the amount of time between each color. Next, transfer the values into the remote from the computer screen and then use the remote to transfer the values into the RGB controller.



Features

- Sequential color display
- Fade or flash per color
- 16 million color addressing
- Store up to 20 colors
- 1 ms to 135 minutes interval per color
- Optional switch input for two color sequences

Specifications

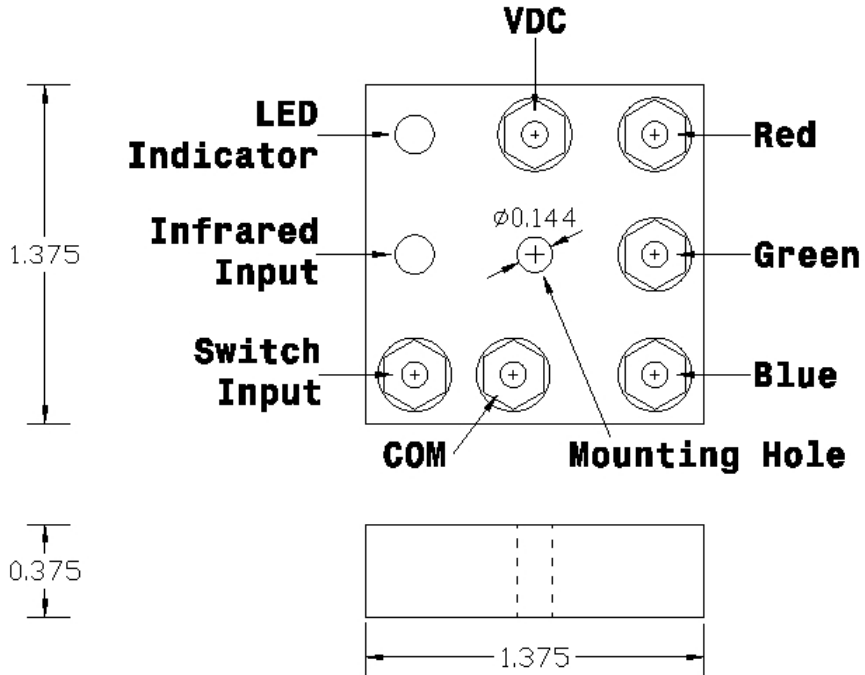
Operating Voltage	12 VDC
Color Resolution	24-bit
Switching Capability	6A
Interval length	1 ms – 135 minutes
Memory Capacity	20 Colors

Applications

- Back lighting
- Holiday lighting
- Advertising
- Attention lighting
- Product display
- Special effects
- Landscape
- Fountain lighting
- Production lighting
- Sign lighting
- Bar and cabinet lighting
- Computer case lighting
- Mood lighting
- Car lighting
- Vending machine lights
- Slot machine lights

9252 RGB Controller

Layout and dimensions



9252 RGB Controller

Sample Connection Circuit

